



HUMIDITY

VAISALA 3% ROOM AND DUCT HUMIDITY AND TEMPERATURE TRANSMITTER HMW/D8X0 SERIES

DESCRIPTION

The **Vaisala HMW/D8X0 Series** room and duct humidity and temperature transmitter features the interchangeable INTERCAP® sensor and is designed for use in energy management systems in buildings. They combine excellent stability with reliable operation. The **HMW/D8X Series** is easy to install, requires no recalibration if the sensor is changed and is insensitive to dust as well as to most chemicals. This means great savings in overall maintenance costs.

The **HMW/D80 Series** transmitters are available in eight models: **HMW/D82** and **HMW/D83** transmitters measure both humidity and temperature while the **TMW/D82** and **TMW/D83** measure temperature only. **HMW/D80 Series** is available in both 2- and 3-wire and 4-20 mA and voltage analog signals.

FEATURES

- Room and Duct models
- 3% accuracy
- 4-20mA & 0-10V models
- Interchangeable humidity sensor
- Two-year warranty
- No recalibration required
- Temperature and humidity outputs



HMW82

VAISALA



HMD82

SPECIFICATIONS

Accuracy

HMW Series	Humidity $\pm 3\%$, 0 to 70% RH, 50° to 86°F (10° to 30°C)
TMW Series	Temperature $\pm 0.9^\circ\text{F}$ ($\pm 0.50^\circ\text{C}$)
Thermal Effect	Temperature compensated with less than 0.005% per °F (0.01% per °C)

Supply Voltage

HMX82/TMX82	20 to 28 VDC
HMX83/TMX83	18 to 35 VDC/24 VAC $\pm 20\%$

Signal Output

HMXW82/TMX82	4-20 mA @ 600Ω (loop powered)
HMX83/TMX83	0 to 10 VDC @ 10kΩ

Measurement Range

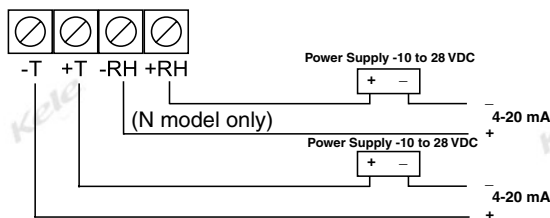
Humidity	0 to 100% RH
Temperature	23° to 131°F (-5° to 55°C)

Sensing Technology

Humidity	Replaceable Vaisala Intercap®
Temperature	Digital Temperature Sensor
Operating Temperature	-40° to 140°F (-40° to 60°C)
Operating Humidity	0 to 100% RH non-condensing
Enclosure Rating	NEMA 1, ABS/ Polycarbonate UL-V0 approved, IP30
Wiring Terminations	Terminal block (22 to 16 AWG)
Weight	
Wall	0.25 lb (0.11 Kg)
Duct	0.65 lb (0.3 Kg)
Approvals	CE (EN61326-1)
Warranty	2 years

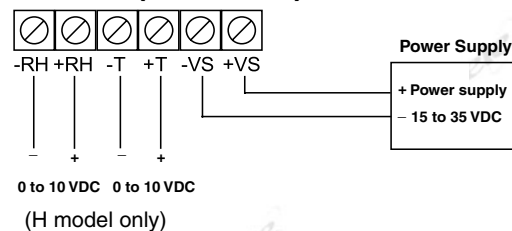
WIRING

HMx82 (4-20mA)



You must connect the RH channel of the 82, even if you only want to measure temperature. Connecting the temperature channel is optional.

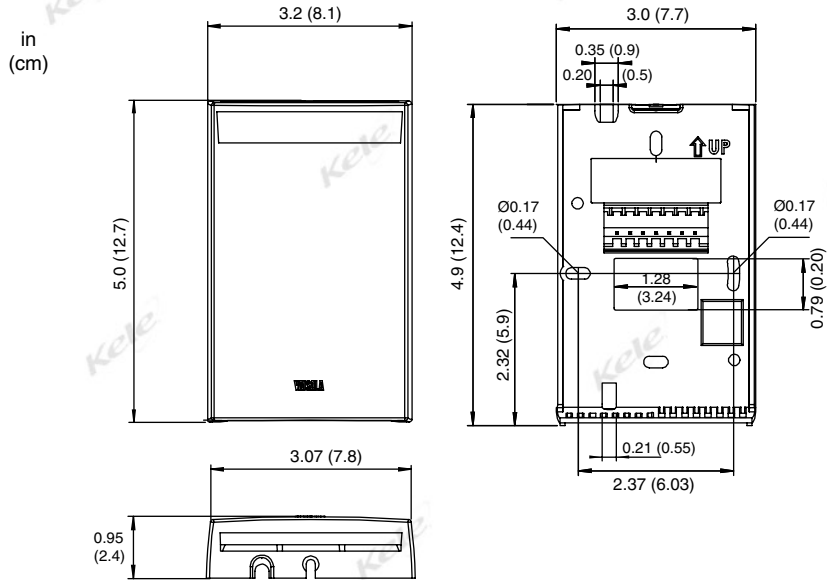
HMx83 (0-10 VDC)



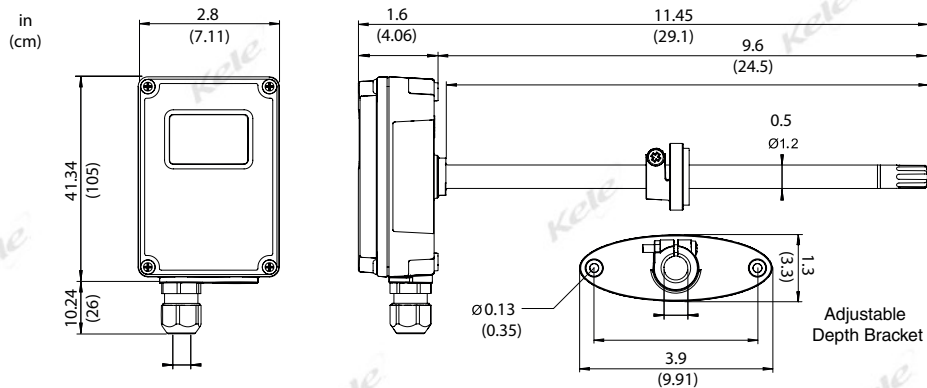


VAISALA 3% ROOM AND DUCT HUMIDITY AND TEMPERATURE TRANSMITTER HMW/D8XO SERIES

DIMENSIONS



H/TMW
(Room Transmitter)



H/TMW
(Duct Transmitter)

ORDERING INFORMATION

MODEL	DESCRIPTION
HMW82	3% Room humidity and temperature transmitter, 4-20 mA
HMW83	3% Room Humidity and temperature transmitter, 0-10 VDC
TMW82	Room temperature transmitter, 2-wire 4-20 mA output
TMW83	Room temperature transmitter, 3-wire 0-10V output

	RELATED PRODUCTS
15778HM	Replaceable humidity sensor
691-K0A	Control transformer, 120:24 VAC, 40 VA, Class 2
DCP-1.5-W	Power supply, 24 VAC IN to 24 VDC OUT
DCPA-1.2	Power supply, 120 VAC In to 24 VAC/24 VDC Out